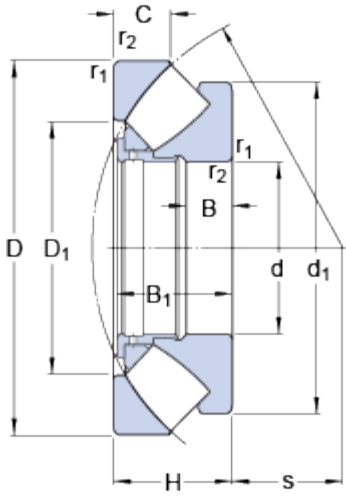


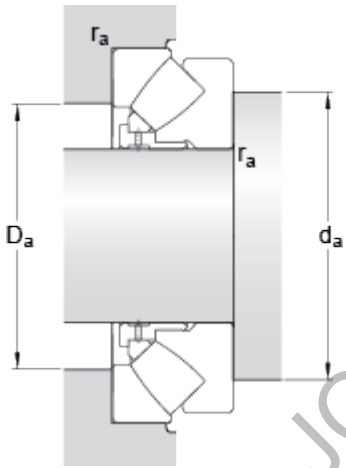
29488E

Dimensions



d	440	mm
D	780	mm
H	206	mm
d_1	≈ 710	mm
D_1	≈ 577	mm
B	77	mm
B_1	199	mm
C	101	mm
s	257	mm
$r_{1,2}$	min. 9.5	mm

Abutment dimensions



d_a	min. 605	mm
D_a	max. 675	mm
r_a	max. 8	mm

Calculation data

Basic dynamic load rating	C	9000	kN
Basic static load rating	C_0	32000	kN
Fatigue load limit	P_u	2320	kN
Reference speed		430	r/min
Limiting speed		750	r/min
Minimum axial load factor	A	91	

Mass

Mass bearing		410	kg
--------------	--	-----	----